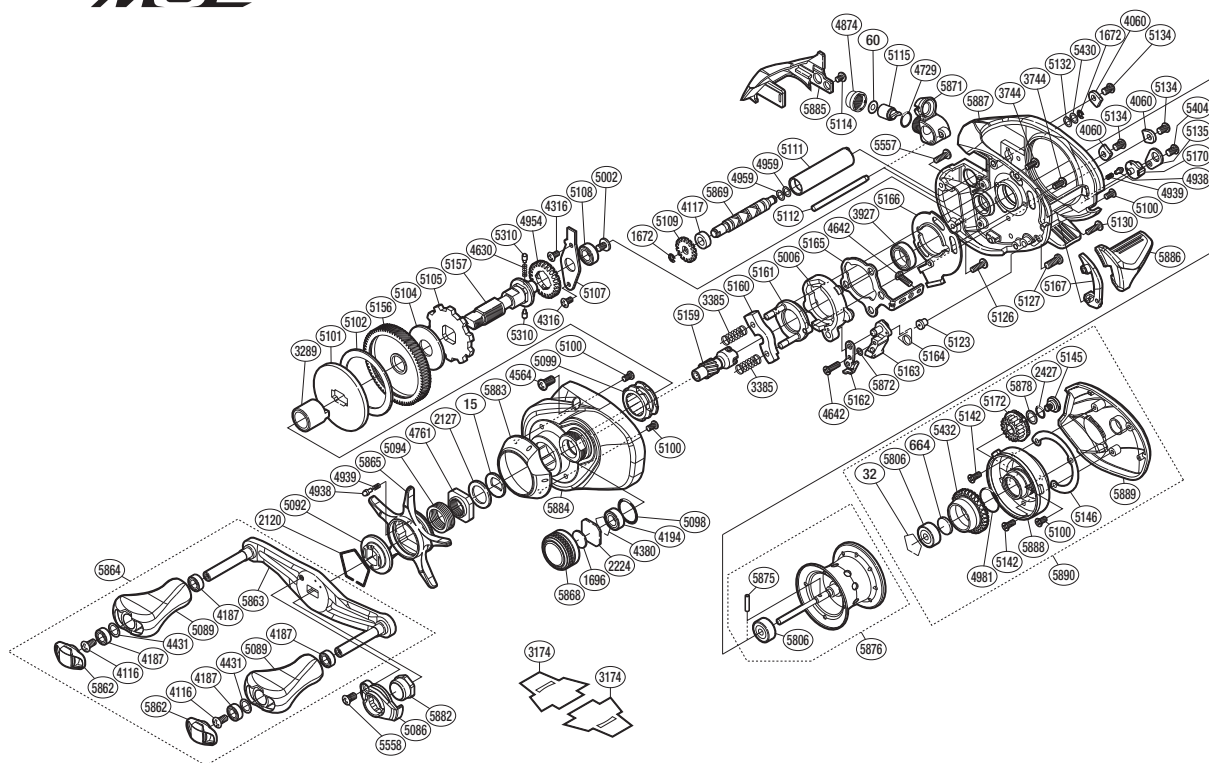


SHIMANO

ALDEBARAN S A-RB
MGL

ALD MGL-51



The (5806) Bearing, (5875) Spool clutch pin, and (5099) Roller clutch cannot be replaced by the customer. To replace these parts, please request after-sales service.

Please note that the number of adjusting washers may not be the same as shown in the exploded views. (Adjustment will vary with each individual product.)

(51RL120051X)

Part No.	Description	Part No.	Description	Part No.	Description
BNT0015	Drag Spring Washer	BNT5089	Handle Knob	BNT5166	Clutch Guard
BNT0032	Bearing Retainer	BNT5092	Star Drag Click Plate	BNT5167	Clutch Bar Guide
BNT0060	Spacer	BNT5094	Star Drag Spring	BNT5170	Side Plate Cam Lever
BNT0664	Spacer B	BNT5098	O Ring	BNT5172	Br Dial
BNT1672	E Lock	BNT5099	Roller Clutch Bearing	BNT5310	Idle Gear Pin
BNT1696	Cast Control Spacer	BNT5100	Screw	BNT5404	Screw
BNT2120	Click Plate Retainer	BNT5101	Key Washer	BNT5430	Washer
BNT2127	Star Drag Spacer	BNT5102	Drag Washer	BNT5432	Brake Pipe Gear Assembly
BNT2224	Spool Tension Spacer	BNT5104	Drag Washer	BNT5557	Screw
BNT2427	O Ring	BNT5105	Anti-Reverse Ratchet	BNT5558	Screw
BNT3289	Roller Clutch Inner Tube	BNT5107	Drive Shaft Retainer	BNT5806	Ball Bearing
BNT3385	Yoke Spring	BNT5108	Ball Bearing	BNT5862	Handle Knob Seal
BNT3744	Screw	BNT5109	Idle Gear	BNT5863	Handle Shank Assembly
BNT3927	Ball Bearing	BNT5111	Level Wind Guard	BNT5864	Handle Assembly
BNT4060	Side Frame Plate	BNT5112	Stabilizer Bar	BNT5865	Star Drag
BNT4116	Screw	BNT5114	Screw	BNT5868	Cast Control Cap
BNT4117	Bushing	BNT5115	Line Guide Pawl	BNT5869	Worm Shaft
BNT4187	Ball Bearing	BNT5123	Clutch Spring Holder	BNT5871	Line Guide Assembly
BNT4194	Ball Bearing	BNT5126	Screw	BNT5872	Washer
BNT4316	Screw	BNT5127	Screw	BNT5875	Spool Clutch Pin
BNT4380	Retainer	BNT5130	Screw	BNT5876	Spool Assembly
BNT4431	Washer	BNT5132	Washer	BNT5878	Washer
BNT4564	Screw	BNT5134	Screw	BNT5882	Handle Nut
BNT4630	Idle Gear Spring	BNT5135	Cam Lever Retainer	BNT5883	Clutch Button Attachment
BNT4642	Screw	BNT5142	Screw	BNT5884	Left Side Plate
BNT4729	O Ring	BNT5145	Screw	BNT5885	Level Wind Protector
BNT4761	Star Drag Nut	BNT5146	Washer	BNT5886	Clutch Lever Assembly
BNT4874	Pawl Cap	BNT5156	Drive Gear	BNT5887	Frame Assembly
BNT4938	Click Pin	BNT5157	Drive Shaft	BNT5888	Brake Case Assembly
BNT4939	Click Spring	BNT5159	Pinion Gear	BNT5889	Right Side Plate
BNT4954	Idle Gear	BNT5160	Yoke	BNT5890	Right Side Plate Assembly
BNT4959	Washer	BNT5161	Clutch Cam Retainer		
BNT4981	O Ring	BNT5162	Clutch Pawl		
BNT5002	Screw	BNT5163	Clutch Pawl		
BNT5006	Clutch Cam	BNT5164	Clutch Pawl Spring	BNT3174	Reel Seat Spacer (accessory)
BNT5086	Handle Retainer	BNT5165	Clutch Plate	BNT4692	B-100 Oil (accessory)